



**KALORIK**



**Water kettle**

**Hervidor**

**Bouilloire**



**USK JK 28345**

[www.KALORIK.com](http://www.KALORIK.com)

**120V~60Hz 1440W (12A)**



Front cover page (first page)

Assembly page 1/28



Fax +32 2 359 95 50

Copies of the I/B. Please reproduce them without any changes except under special instruction from Team International BELGIUM. The pages must be reproduced and folded in order to obtain a booklet A5 (+/- 148.5 mm width x 210 mm height). When folding, make sure you keep the good numbering when you turn the pages of the I/B. Don't change the page numbering. Keep the language integrity.



# **(EN) OPERATING INSTRUCTIONS**

## **IMPORTANT SAFEGUARDS**

**When using electrical appliances, basic safety precautions should always be followed, including the following:**

- 1. READ ALL INSTRUCTIONS**
2. Check that your mains voltage corresponds to that stated on the appliance.
3. Do not touch hot surfaces. Use handles or knobs.
4. To protect against electrical shock, fire or personal injury, do not immerse cord, plugs, or the jug kettle, including the power base, in water or other liquid.
5. Close supervision is necessary when any appliance is used by or near children.
6. Unplug from outlet when not in use and before cleaning. Allow to cool before putting on or taking off parts, and before cleaning.
7. Do not operate any appliance with a damaged cord or plug or after the appliance malfunctions or has been damaged in any manner. Return appliance to the nearest authorized service facility for examination, repair, or adjustment.
8. The use of accessory attachments not recommended by the appliance manufacturer may result in fire, electric shock and personal injuries.
9. Do not use outdoors.
10. Do not let cord hang over edge of table or counter, or touch hot surfaces.
11. Do not place on or near a hot gas or electric burner, or in a heated oven.
12. Always attach plug to appliance first, then plug cord into the wall outlet. To disconnect, put the switch in off position, then remove plug from wall outlet.
13. Do not use appliance for other than intended use.
14. Scalding may occur if the lid of the jug kettle is removed during the heating cycles.
15. Make sure the appliance never comes into contact with inflammable materials such as curtains, textiles ... when it is in use as they might catch fire.



Fax +32 2 359 95 50

Copies of the I/B. Please reproduce them without any changes except under special instruction from Team International BELGIUM. The pages must be reproduced and folded in order to obtain a booklet A5 (+/- 148.5 mm width x 210 mm height). When folding, make sure you keep the good numbering when you turn the pages of the I/B. Don't change the page numbering. Keep the language integrity.



16. When removing lime scale, only use special products for the removal of lime scale. Never use ammonia or any other substance that might damage your health.
17. Ensure that the kettle is properly located on the power base before switching on.
18. Remove the kettle from power base before filling or pouring. Do not attempt to remove the kettle from the power base until it is switched off, manually or automatically.
19. Use the kettle only with the power base supplied and vice versa.
20. Use on a hard, flat level surface only.
21. Extreme caution must be used when handling or moving kettle and pouring from the kettle containing boiling water.
22. When pouring a large quantity of hot water, pour slowly and do not incline the kettle past the horizontal line to avoid burns and injuries
- 23. THIS APPLIANCE IS FOR HOUSEHOLD USE ONLY.**

## SAVE THESE INSTRUCTIONS

### GROUNDING INSTRUCTIONS (3-PRONG PLUG)

This appliance must be grounded. In the event of an electrical short circuit, grounding reduces the risk of electric shock by providing an escape wire for the electric current. This appliance is equipped with a cord having a grounding wire with a grounding plug. The plug must be plugged into an outlet that is properly installed and grounded.

**Do not attempt to modify the plug in any way.**

### SHORT CORD INSTRUCTIONS

A short power supply cord is provided to reduce the hazards resulting from becoming entangled in, or tripping over a longer cord.

Extension cords are available and may be used if care is exercised in their use. If an extension cord is used:

- The electrical rating of the extension cord should be at least that of the appliance. If the electrical rating of the extension cord is too low, it could overheat and burn.



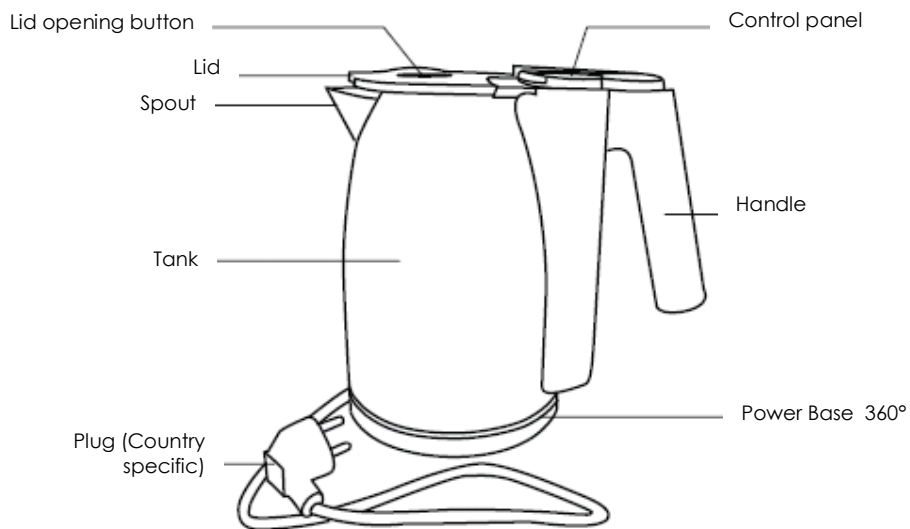
Fax +32 2 359 95 50

Copies of the I/B. Please reproduce them without any changes except under special instruction from Team International BELGIUM. The pages must be reproduced and folded in order to obtain a booklet A5 (+/- 148.5 mm width x 210 mm height). When folding, make sure you keep the good numbering when you turn the pages of the I/B. Don't change the page numbering. Keep the language integrity.

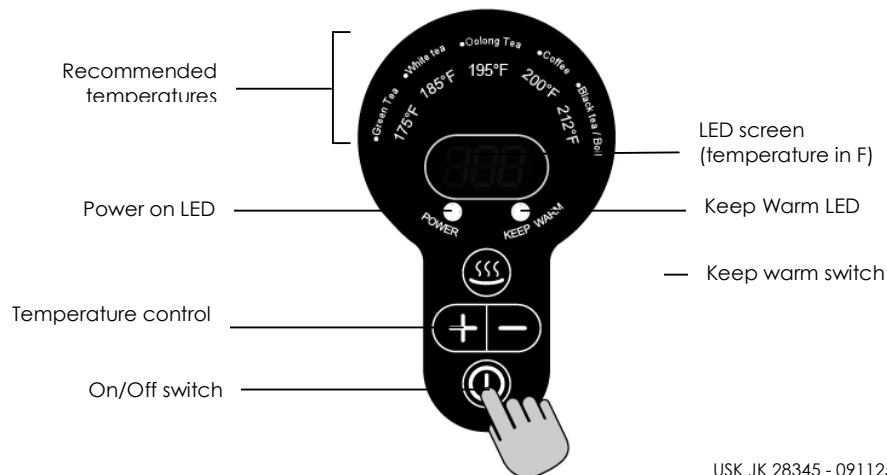


- The resulting extended cord should be arranged so that it will not drape over the counter top or tabletop where it can be pulled on by children or tripped over.
- The appliance is of grounded type, the extension cord shall be a grounding 3-wire cord also.

## PART DESCRIPTION



## CONTROL PANEL



USK JK 28345 - 091125



Fax +32 2 359 95 50

Copies of the I/B. Please reproduce them without any changes except under special instruction from Team International BELGIUM. The pages must be reproduced and folded in order to obtain a booklet A5 (+/- 148.5 mm width x 210 mm height). When folding, make sure you keep the good numbering when you turn the pages of the I/B. Don't change the page numbering. Keep the language integrity.



**CAUTION:** read, understand and follow all the important safeguards and operating instructions in this Use and Care guide before using this product.

## BEFORE THE FIRST OPERATION

For a perfect taste, operate the jug kettle with fresh water in order to clean any residue left from the manufacturing process. When the appliance has cooled down, repeat the process 3 times with fresh water, before rinsing.

## OPERATION

- Always remove the jug from the power base before filling it or before any operation.
- Open the lid by pressing its release button and fill the tank with fresh water, paying attention not to fill under the minimum mark and above the maximum mark on the water level indicator. Too little water may result in the kettle switching off before the water has reached temperature.
- Close the lid by pressing it down until it you hear a click. Make sure it closes correctly.
- Put the jug onto the power base, plug into the wall socket. The temperature "212" will flash for approx. 10 seconds. Your kettle is operational.
- Your kettle can be used both for boiling water or bring it to your desired temperature. This is particularly interesting for the preparation of hot beverages, most especially tea, as the ideal brewing temperature can be different from one sort to the other.
- Press the on/off button on the control panel to turn the kettle on. The water boiling temperature "212" (°F) will flash for a few seconds, during which the temperature can be changed to your liking. For this, press "+" or "-" to set the kettle to the desired temperature. When the screen stops blinking, the temperature is set and the kettle will start warming the water. The red "Power" LED is lit.
- When the kettle reaches the desired temperature, the kettle will turn off and will produce 5 short beeps. The water temperature is



Fax +32 2 359 95 50

Copies of the I/B. Please reproduce them without any changes except under special instruction from Team International BELGIUM. The pages must be reproduced and folded in order to obtain a booklet A5 (+/- 148.5 mm width x 210 mm height). When folding, make sure you keep the good numbering when you turn the pages of the I/B. Don't change the page numbering. Keep the language integrity.



displayed for a few seconds and the kettle will turn off automatically.

- When the kettle is off, you can check the temperature of the water anytime by pressing any button on the control panel.

## KEEP WARM FUNCTION

You can program the water kettle to keep a preset temperature. Set the desired temperature as explained in the paragraph "OPERATION" and press on the Keep warm button while the temperature is still flashing on the display. The "Keep Warm" LED turns on, and will keep the water warm until the kettle is lifted from its base or shut off. The water kettle emits 2 short beeps to remind you of the warm water.

### NOTES:

- Always disconnect the power supply when not in use.
- When pouring a large quantity of hot water, pour slowly and do not incline the kettle past the horizontal line to avoid burns and injuries
- The water kettle can only display the temperatures in Fahrenheit degrees (°F), not in Celsius degrees (°C)

## SAFETY CUT-OUT

- This jug kettle is protected with an automatic safety device if accidentally switched on without water.
- If this happens, switch off the appliance by putting the switch in OFF position and wait about 10 minutes for the element to cool. Then pour in sufficient cold water to cover the element. This will reset the safety device.
- The kettle may then be used as normal.

## CLEANING AND MAINTENANCE

- Before attempting any cleaning operation, make sure the appliance is unplugged from the supply socket and fully cooled down.



Fax +32 2 359 95 50

Copies of the I/B. Please reproduce them without any changes except under special instruction from Team International BELGIUM. The pages must be reproduced and folded in order to obtain a booklet A5 (+/- 148.5 mm width x 210 mm height). When folding, make sure you keep the good numbering when you turn the pages of the I/B. Don't change the page numbering. Keep the language integrity.



- To clean the exterior surfaces, simply wipe over with a soft damp cloth and dry thoroughly.
- Never use abrasive products
- On no account shall the jug kettle or its power base be immersed in water.

## **FILTER**

Your appliance is provided with a stainless steel spout filter. This way, you can virtually boil or warm water up without water ever getting in contact with plastic parts.

## **DESCALING – REMOVING MINERAL DEPOSITS**

To remove scale from the jug kettle, use products made especially available for this purpose. Make sure to use a type recommended for kettles or coffee makers and follow the instructions supplied by the manufacturer.



Fax +32 2 359 95 50

Copies of the I/B. Please reproduce them without any changes except under special instruction from Team International BELGIUM. The pages must be reproduced and folded in order to obtain a booklet A5 (+/- 148.5 mm width x 210 mm height). When folding, make sure you keep the good numbering when you turn the pages of the I/B. Don't change the page numbering. Keep the language integrity.



## WARRANTY

We suggest that you complete and return the enclosed Product Registration Card promptly to facilitate verification of the date of original purchase. However, return of the Product Registration Card is not a condition of these warranties. You can also fill this warranty card online, at the following address: [www.KALORIK.com](http://www.KALORIK.com)

This KALORIK product is warranted, in the U.S.A., for 1 year from the date of purchase against defects in material and workmanship. This warranty is not transferable. Keep the original sales receipt. Proof of purchase is required to obtain warranty performance.

During this period, the KALORIK product that, upon inspection by KALORIK, is proved defective, will be repaired or replaced, at Kalorik's option, without charge to the customer. If a replacement product is sent, it will carry the remaining warranty of the original product.

This warranty does not apply to any defect arising from a buyer's or user's misuse of the product, negligence, failure to follow KALORIK instructions noted in the user's manual, use on current or voltage other than that stamped on the product, wear and tear, alteration or repair not authorized by KALORIK, or use for commercial purposes. There is no warranty for glass parts, glass containers, filter basket, blades and agitators, and accessories in general. There is also no warranty for parts lost by the user.

ANY WARRANTY OF MERCHANTABILITY OR FITNESS WITH RESPECT TO THIS PRODUCT IS ALSO LIMITED TO THE ONE YEAR LIMITED WARRANTY PERIOD

Some states do not allow limitation on how long an implied warranty lasts or do not allow the exclusion of incidental or consequential damages, so the above limitations may not apply to you. This warranty gives you specific legal rights, and you may also have other rights which vary from state to state.

If the appliance should become defective within the warranty period and more than 30 days after date of purchase, do not return





Fax +32 2 359 95 50

Copies of the I/B. Please reproduce them without any changes except under special instruction from Team International BELGIUM. The pages must be reproduced and folded in order to obtain a booklet A5 (+/- 148.5 mm width x 210 mm height). When folding, make sure you keep the good numbering when you turn the pages of the I/B. Don't change the page numbering. Keep the language integrity.



the appliance to the store: often, our Consumer Service Representatives can help solve the problem without having the product serviced. If servicing is needed, a Representative can confirm whether the product is under warranty and direct you to the nearest service location.

If this is the case, bring the product (or send it, postage prepaid), along **with proof of purchase** and indicating a **return authorization number** given by our Consumer Service Representatives, to the nearest authorized KALORIK Service Centre (please visit our website at [www.KALORIK.com](http://www.KALORIK.com) or call our Customer Service Department for the address of the nearest authorized KALORIK Service Centre). If you send the product, please include a letter explaining the nature of the claimed defect.

If you have additional questions, please call our Consumer Service Department (please see below for complete contact information), Monday through Friday from 9:00am - 6:00pm (EST). Please note hours are subject to change.

If you would like to write, please send your letter to:

**KALORIK Consumer Service department**  
Team International Group of America Inc  
1400 N.W 159th Street, Suite 102  
Miami Gardens, FL 33169 USA

Or call :

Toll Free in the U.S.A. : +1 888-521-TEAM / +1 888-KALORIK

**Only letters can be accepted at this address above. Shipments and packages that do not have a return authorization number will be refused.**



Fax +32 2 359 95 50

Copies of the I/B. Please reproduce them without any changes except under special instruction from Team International BELGIUM. The pages must be reproduced and folded in order to obtain a booklet A5 (+/- 148.5 mm width x 210 mm height). When folding, make sure you keep the good numbering when you turn the pages of the I/B. Don't change the page numbering. Keep the language integrity.



## **(SP) MANUAL DE INSTRUCCIONES**

### **CONSEJOS DE SEGURIDAD**

Cuando use algún aparato eléctrico siempre deben seguirse precauciones básicas de seguridad incluyendo las siguientes:

- 1. LEA TODAS LAS INSTRUCCIONES.**
2. Antes de utilizar el aparato, compruebe que el voltaje de la red eléctrica coincide con el indicado en la placa de características del aparato.
3. Procure que el cable no entre en contacto con las superficies calientes del aparato. Utilice siempre los botones y las asas.
4. Para protegerse contra el fuego, una descarga eléctrica o daños a personas, no sumerja el cable de alimentación, la clavija o el hervidor en agua o en otros líquidos.
5. Es siempre necesaria la supervisión cercana cuando este aparato sea utilizado cerca de niños. Este aparato no debe ser usado por niños.
6. Desenchufe el aparato siempre que no lo use o antes de limpiarlo. Es imprescindible desenchufar el aparato para limpiarlo y para montar o desmontar las partes del aparato.
7. No opere el aparato si el cable o el enchufe están dañados, o después de que el aparato ha funcionado inadecuadamente, se ha caído o ha sido dañado en cualquier manera. El aparato debe ser llevado al fabricante o a un centro de servicio autorizado para ser comprobado y reparado.
8. El uso de accesorios que no sean los recomendados por el fabricante puede causar incendios, descargas eléctricas o heridas.
9. No use en el exterior.
10. No permita que el cable cuelgue del borde de la mesa o del mostrador o que toque una superficie caliente.
11. No coloque este aparato sobre o cerca de quemadores de gas o eléctricos, o dentro de un horno caliente.
12. Enchufe siempre primero el cable al aparato y después en el enchufe de la red eléctrica. Para desconectar el aparato, ponga el interruptor en la posición apagada y desenchufe el aparato.



Fax +32 2 359 95 50

Copies of the I/B. Please reproduce them without any changes except under special instruction from Team International BELGIUM. The pages must be reproduced and folded in order to obtain a booklet A5 (+/- 148.5 mm width x 210 mm height). When folding, make sure you keep the good numbering when you turn the pages of the I/B. Don't change the page numbering. Keep the language integrity.



13. No use este aparato más que para lo que ha sido diseñado.
14. Pueden ocurrir quemaduras si se levanta la tapa durante el ciclo de calentamiento.
15. Procure que el aparato no entre en contacto con materiales fácilmente inflamables como cortinas, tejidos, etc. ..., cuando esté en funcionamiento, ya que podría provocar un incendio.
16. Si quiere eliminar la cal del aparato utilice sólo productos especialmente concebidos para este fin. No utilice amoniaco o cualquier otro producto que pueda perjudicar la salud.
17. Asegúrese de que el hervidor está correctamente puesto en la base antes de ponerlo en marcha.
18. Quite el hervidor de la base antes de llenarlo o de verter el agua. No intente quitar el hervidor de la base antes de que esté apagada, manualmente o automáticamente.
19. Utilice el hervidor sólo con la base original y viceversa.
20. Coloque el hervidor sólo en una superficie dura, llana y estable.
21. Tenga mucho cuidado cuando desplace un hervidor lleno de agua hirviendo o cuando vierta el agua hirviendo.
22. Cuando vierta una gran cantidad de agua caliente, vierta lentamente y no incline el hervidor mas allá de la línea horizontal para evitar quemaduras y lesiones
- 23. UTILICE EL APARATO SÓLO PARA USOS DOMÉSTICOS.**

## **GUARDE ESTAS INSTRUCCIONES**

### **INSTRUCCIONES PARA LA TOMA DE TIERRA**

Este aparato debe estar enchufado en una conexión con toma de tierra. Ya que en caso de cortocircuito, la toma de tierra reduce el riesgo de choque eléctrico, proporcionando una vía de escape para el corriente eléctrico. Este aparato está equipado con un cable que tiene un enchufe con toma de tierra. El enchufe debe insertarse en una toma de corriente correctamente instalada.

**No intente, de ninguna manera, modificar el enchufe.**



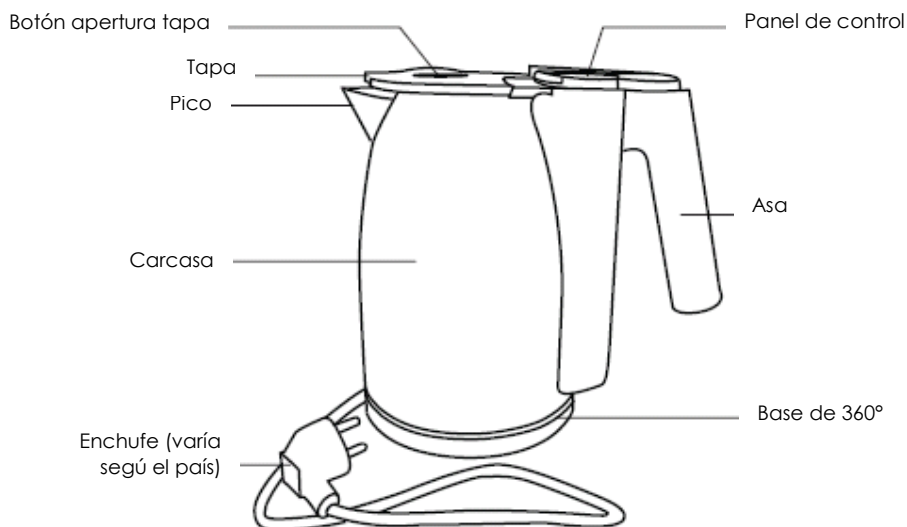
## INSTRUCCIONES DEL CABLE

El cable de alimentación del aparato es un cable corto a fin de disminuir el riesgo de accidentes (caídas al tropezar con él, etc.) Puede utilizar un alargador si es necesario comprobando siempre los siguientes puntos:

- Asegúrese de que el nivel eléctrico del cable es igual o mayor que el indicado. Una extensión con un bajo nivel eléctrico correría el riesgo de sobrecalentarse y de estropearse.
- El aparato es del tipo contacto tierra, la alargadera deberá ser un cable a tierra de 3 terminales.
- Para evitar riesgos colocar de forma tal que los niños no puedan jalarlo o tropezar con él. Que no arrastre nunca por el suelo.

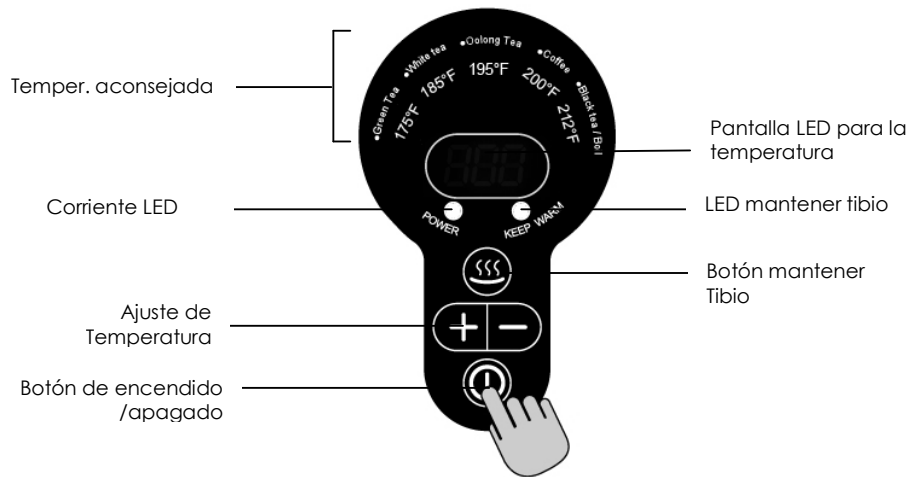
Atención: lea, comprenda y siga todas las instrucciones de seguridad y funcionamiento indicadas en este manual antes de enchufar su aparato.

## PARTES





## PANEL DE CONTROL



## ANTES DE LA PRIMERA UTILIZACIÓN

Es necesario pasar su hervidor por agua antes de utilizarlo por primera vez. Para ello, eche agua fría y ponga el aparato en funcionamiento. Después de la ebullición, tire el agua, deje enfriar el hervidor y páselo por agua. Repita esta operación 2 o 3 veces utilizando sólo agua limpia.

## USO

- Quite el hervidor de su base antes de llenarlo de agua.
- Abra la tapa presionando el botón de desbloqueo y llene el depósito con agua fría. El nivel de agua debe encontrarse entre las marcas de MIN y MAX indicadas en el depósito.
- Cierre correctamente la tapa presionándola hasta oír un clic.
- Coloque el hervidor sobre la base y enchufe la clavija. La luz de temperatura "212" se mantendrá intermitente durante aproximadamente 10 segundos. Su hervidor está en funcionamiento.
- Su hervidor puede ser utilizado tanto para hervir agua como para calentar la misma a la temperatura deseada. Esto es



Fax +32 2 359 95 50

Copies of the I/B. Please reproduce them without any changes except under special instruction from Team International BELGIUM. The pages must be reproduced and folded in order to obtain a booklet A5 (+/- 148.5 mm width x 210 mm height). When folding, make sure you keep the good numbering when you turn the pages of the I/B. Don't change the page numbering. Keep the language integrity.



particularmente interesante para la preparación de bebidas calientes, especialmente té, ya que la temperatura ideal de infusión puede ser diferente según el tipo del mismo.

- Oprima el botón encendido/apagado [on/off] en el panel de control para encender el hervidor. La temperatura "212" (°F) de hervor del agua permanecerá destelleante por algunos segundos, durante los cuales la temperatura puede ser cambiada si usted así lo desea. Para esto, oprima "+" o "-", a fin de ajustar el hervidor en la temperatura deseada. Cuando la pantalla deja de destellar, la temperatura está ajustada y el hervidor comenzará a calentar el agua. El indicador LED "POWER" ["EN FUNCIONAMIENTO"] está encendido.
- Cuando el hervidor alcanza la temperatura deseada, el mismo se apagará y emitirá 5 sonidos electrónicos cortos. La temperatura del agua se verá en la pantalla por algunos segundos y el hervidor se apagará automáticamente.
- Cuando el hervidor se encuentre apagado, usted podrá verificar la temperatura del agua en cualquier momento oprimiendo cualquiera de los botones en el panel de control.

## **FUNCIÓN MANTENIMIENTO DE CALOR**

Usted puede programar el hervidor para mantener una temperatura pre-ajustada. Ajuste la temperatura deseada siguiendo las instrucciones del párrafo "OPERACIÓN" y oprima el botón Mantener Caliente mientras la temperatura se encuentra aún destelleante en la pantalla. El LED "Mantener Caliente" se encenderá, y mantendrá el agua caliente hasta que el hervidor es removido de su base o es apagado. El hervidor emitirá 2 cortos sonidos electrónicos a fin de recordarle a usted que el agua está caliente.

### **NOTAS**

- Desenchufe siempre su aparato cuando no este en uso.
- Cuando vierta una gran cantidad de agua caliente, vierta lentamente y no lo más allá de la línea horizontal para evitar quemaduras y lesiones
- El hervidor puede mostrar la temperatura solamente en grados Fahrenheit, no en grados Celsius (°C).



Fax +32 2 359 95 50

Copies of the I/B. Please reproduce them without any changes except under special instruction from Team International BELGIUM. The pages must be reproduced and folded in order to obtain a booklet A5 (+/- 148.5 mm width x 210 mm height). When folding, make sure you keep the good numbering when you turn the pages of the I/B. Don't change the page numbering. Keep the language integrity.



## PROTECCIÓN CONTRA SOBRECALENTAMIENTO

- Este hervidor cuenta con un sistema de protección contra sobrecalentamientos, que para el aparato si es puesto en marcha accidentalmente sin agua en el depósito.
- Si le ocurre esto, apague el aparato con el interruptor y desenchúfelo. Espere 10 minutos antes de ponerlo de nuevo en marcha. Ello basta para desbloquear el sistema de protección.
- Si el problema persiste, llame al servicio post-venta más cercano.

## LIMPIEZA

- La clavija eléctrica debe ser desenchufada y el aparato frío antes de limpiarlo.
- Limpie las partes de plástico con un paño suave. Para quitar la cal de las paredes interiores del hervidor, puede utilizar un cepillo suave.
- No utilice nunca productos abrasivos.
- No sumerja nunca el hervidor ni la base en el agua o en cualquier otro líquido.

## FILTRO

Su aparato posee un pico-filtro de acero inoxidable. De este modo, usted puede hervir o calentar agua virtualmente sin que la misma siquiera entre en contacto con las partes de plástico.

## DESINCRUSTACIÓN/QUITAR LA CAL

Desincrustar o quitar la cal del aparato con regularidad alarga la vida de su aparato. Para ello utilice cualquier producto que venden en el comercio para este fin en el que vaya indicado para hervidores y cafeteras y siga sus instrucciones.

## GARANTÍA



Fax +32 2 359 95 50

Copies of the I/B. Please reproduce them without any changes except under special instruction from Team International BELGIUM. The pages must be reproduced and folded in order to obtain a booklet A5 (+/- 148.5 mm width x 210 mm height). When folding, make sure you keep the good numbering when you turn the pages of the I/B. Don't change the page numbering. Keep the language integrity.



Le sugerimos rellenen y nos envíen rápidamente la Tarjeta adjunta de Registro de Producto adjunto para facilitar la verificación de la fecha de compra. Por lo tanto, la devolución de esa Tarjeta de Registro de Producto no es una condición imprescindible para la aplicación de esa garantía. Puede también rellenar esa carta de garantía en línea en la dirección siguiente: [www.KALORIK.com](http://www.KALORIK.com)

A partir de la fecha de compra, este producto KALORIK está garantizado un año contra los defectos materiales y de fabricación, en USA. Esta garantía no es transferible. Conserve la prueba de compra original. Se exige una prueba de compra para obtener la aplicación de la garantía.

Durante este periodo, si el producto KALORIK que, después de una inspección por parte de KALORIK, se manifiesta defectuoso, será reparado o reemplazado, según lo que decida KALORIK, sin gastos para el consumidor. Si se envía un producto de reemplazamiento, se aplicará la garantía que queda del producto original.

Esta garantía no se aplica a los defectos causados por una mala utilización por parte del comprador o del utilizador, a una negligencia, al no respeto del manual de instrucciones KALORIK, a una utilización en un circuito eléctrico cuyo voltaje es diferente al que figura en el producto, a un desgaste normal, a modificaciones o reparaciones no autorizadas por KALORIK, o por un uso con fines comerciales. No existe garantía por las partes de cristal, jarras de cristal, filtros, cestos, hojas y accesorios en general. No existe tampoco garantía por las piezas perdidas por el utilizador.

Toda garantía de valor comercial o de adaptabilidad a este producto está limitada a un año también.

Algunos estados no ponen límites a la duración de la garantía tácita o no autorizan la exclusión de daños y perjuicios accesorios o indirectos, por lo que puede que las restricciones anteriormente mencionadas no le sean aplicables a Usted. Esta garantía le otorga derechos legales particulares, pero usted puede tener también otros derechos que varían de un estado a otro y algunos derechos pueden variar de un estado a otro.





Fax +32 2 359 95 50

Copies of the I/B. Please reproduce them without any changes except under special instruction from Team International BELGIUM. The pages must be reproduced and folded in order to obtain a booklet A5 (+/- 148.5 mm width x 210 mm height). When folding, make sure you keep the good numbering when you turn the pages of the I/B. Don't change the page numbering. Keep the language integrity.



Si el aparato tuviera un defecto durante el periodo de garantía y más de 30 días después de que se compró, no devuelva el aparato en la tienda donde le compró : a menudo, nuestro Servicio al Consumidor puede ayudar a resolver el problema sin que el producto tenga que ser reparado. Si hace falta una reparación, uno de nuestros representantes puede confirmar si el producto está bajo garantía y dirigirle al servicio post-venta lo más próximo.

Si fuera el caso, traiga el producto (o envíalo, correctamente franqueado) con la **prueba de compra** que mencione **el número de autorización de devolución** indicado por nuestro Servicio al Consumidor, al servicio post-venta KALORIK lo más próximo. (Visite nuestra Web [www.KALORIK.com](http://www.KALORIK.com) o llame al Servicio al Consumidor para obtener la dirección del Servicio post-venta KALORIK exclusivo lo más próximo).

Si envía el producto, le rogamos añadan una carta explicando la naturaleza del defecto.

Si tiene preguntas adicionales, por favor llame al Servicio al Consumidor (véase abajo para los datos completos), de lunes a viernes, de las 9 a las 18 (EST). Note que las horas pueden ser modificadas.

Si quiere escribirnos, puede hacerlo a la dirección siguiente :

**KALORIK Servicio al Consumidor**

Team International Group of America Inc  
1400 N.W 159th Street, Suite 102  
Miami Gardens, FL 33169 USA

O llame gratuitamente (dede USA.) al +1 888-521-TEAM o +1-888-KALORIK

**Las cartas se aceptan solamente en la dirección anteriormente mencionada. Los envíos y paquetes que no tengan número de autorización de devolución serán rechazados.**



Fax +32 2 359 95 50

Copies of the I/B. Please reproduce them without any changes except under special instruction from Team International BELGIUM. The pages must be reproduced and folded in order to obtain a booklet A5 (+/- 148.5 mm width x 210 mm height). When folding, make sure you keep the good numbering when you turn the pages of the I/B. Don't change the page numbering. Keep the language integrity.



## **(FR) MODE D'EMPLOI**

### **CONSIGNES DE SECURITE**

Pour utiliser un appareil électrique, des précautions élémentaires sont à respecter, telles que celles énumérées ci-dessous :

- 1. LISEZ L'ENSEMBLE DES INSTRUCTIONS.**
2. Vérifiez que la tension du réseau correspond bien à celle notée sur la plaque signalétique de l'appareil.
3. Assurez-vous que le cordon n'entre pas en contact avec les surfaces chaudes. Utilisez toujours les boutons ou les poignées.
4. Pour écarter les risques d'électrocution, d'incendie et de blessure aux personnes, n'immergez pas le cordon, la fiche ou la bouilloire – ainsi que la base d'alimentation - dans l'eau ou dans tout autre liquide.
5. Faites particulièrement attention lorsque l'appareil est utilisé par ou en présence d'enfants.
6. Débranchez l'appareil lorsqu'il n'est pas utilisé et avant de le nettoyer. Laissez l'appareil refroidir avant de monter ou démonter des parties de l'appareil, et avant le nettoyage.
7. Ne faites pas fonctionner l'appareil si son cordon ou sa fiche est endommagé ou si l'appareil a présenté un dysfonctionnement ou est endommagé. Retournez l'appareil au centre de service autorisé pour le faire vérifier ou réparer.
8. L'utilisation d'accessoires non recommandés par le fabricant présente des risques d'incendie, d'électrocution ou de blessure.
9. N'utilisez pas l'appareil à l'extérieur.
10. Ne laissez pas le cordon pendre de la table ou d'un comptoir et évitez qu'il touche une surface chaude.
11. Ne placez pas l'appareil sur ou près d'un brûleur à gaz ou électrique ou dans un four chaud.
12. Insérez toujours le cordon d'abord dans l'appareil et ensuite dans la prise murale. Pour déconnecter l'appareil, placez l'interrupteur sur la position arrêt et débranchez l'appareil.
13. N'utilisez pas cet appareil à des fins autres que celles pour lesquelles il est conçu.
14. Des brûlures peuvent être occasionnées si le couvercle est soulevé durant le cycle de chauffe.



Fax +32 2 359 95 50

Copies of the I/B. Please reproduce them without any changes except under special instruction from Team International BELGIUM. The pages must be reproduced and folded in order to obtain a booklet A5 (+/- 148.5 mm width x 210 mm height). When folding, make sure you keep the good numbering when you turn the pages of the I/B. Don't change the page numbering. Keep the language integrity.



15. Veillez à ce que l'appareil n'entre pas en contact avec des matériaux facilement inflammables comme les rideaux, les tissus,... lorsqu'il est en fonctionnement car le feu pourrait se déclarer.
16. Lors d'un éventuel détartrage, ne faites usage que de produits spécialement étudiés pour le détartrage de bouilloires. Ne faites pas usage d'ammoniac ou de toute autre substance qui pourrait nuire à votre santé.
17. Assurez-vous que la bouilloire est correctement installée sur la base avant de la mettre en marche.
18. Retirez la bouilloire de la base avant de la remplir ou de verser l'eau. N'essayez pas de retirer la bouilloire de la base avant qu'elle se soit éteinte, manuellement ou automatiquement.
19. N'utilisez la bouilloire qu'avec la base fournie et vice versa.
20. Placez la bouilloire uniquement sur une surface dure, plate et stable.
21. Soyez extrêmement prudent lorsque vous déplacez une bouilloire contenant de l'eau bouillante ou lorsque vous versez l'eau bouillante.
22. Si vous versez une large quantité d'eau bouillante, versez doucement et n'inclinez pas la bouilloire en dépassant la position où la bouilloire se trouve à l'horizontale, afin d'éviter brûlures ou blessures.
- 23. CET APPAREIL NE DOIT ETRE UTILISÉ QUE POUR DES USAGES DOMESTIQUES.**

## **CONSERVEZ CES INSTRUCTIONS**



Fax +32 2 359 95 50

Copies of the I/B. Please reproduce them without any changes except under special instruction from Team International BELGIUM. The pages must be reproduced and folded in order to obtain a booklet A5 (+/- 148.5 mm width x 210 mm height). When folding, make sure you keep the good numbering when you turn the pages of the I/B. Don't change the page numbering. Keep the language integrity.



## INSTRUCTIONS POUR LES FICHES AVEC MISE A LA TERRE

Cet appareil est équipé d'une fiche et d'un cordon permettant la mise à la terre. Dans le cas d'un court-circuit, la mise à la terre réduit les risques de chocs électriques en fournissant une porte de sortie au courant électrique. Cette fiche ne peut être introduite que d'une seule façon dans la prise murale, qui doit être installée selon les codes électriques en vigueur et mise à la terre. Si cette fiche ne rentre pas correctement dans la prise, contactez un électricien qualifié et reconnu. **N'essayez jamais de modifier vous-même la prise de terre ou la fiche de l'appareil.**

## CONSIGNES CONCERNANT LE CORDON

Le cordon d'alimentation de l'appareil est un cordon de type court, et ce afin de diminuer les risques d'accidents (chute si vous marchez sur le cordon...). Vous pouvez toutefois utiliser une rallonge si nécessaire mais:

- Assurez-vous que l'ampérage de la rallonge est égal ou supérieur à celui de l'appareil. Une rallonge avec un ampérage inférieur à celui de l'appareil risquerait de surchauffer et de brûler.
- La rallonge ne doit pas pendre du plan de travail ou de la table afin d'éviter que les enfants ne le tirent ou trébuchent.
- Comme l'appareil est équipé d'une mise à la terre, la rallonge utilisée devra être du même type.

**ATTENTION:** merci de lire et de suivre toutes les mises en garde et les instructions dans le présent manuel, avant d'utiliser cet appareil.

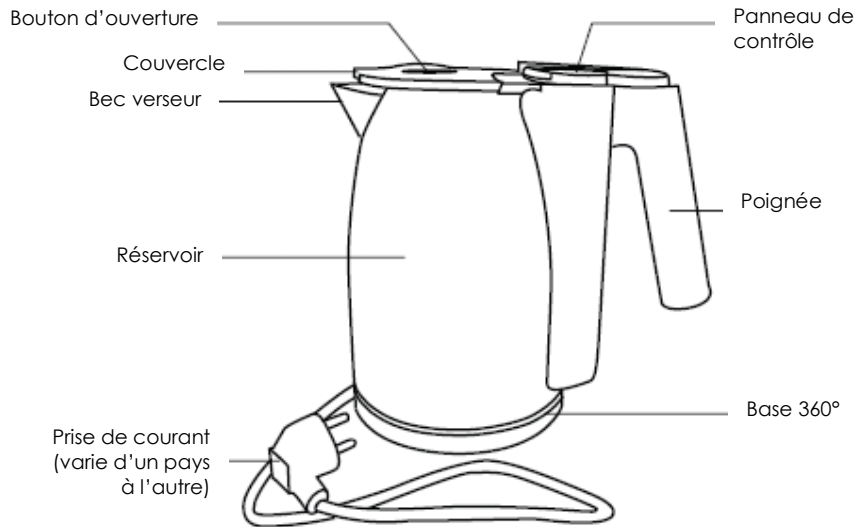


Fax +32 2 359 95 50

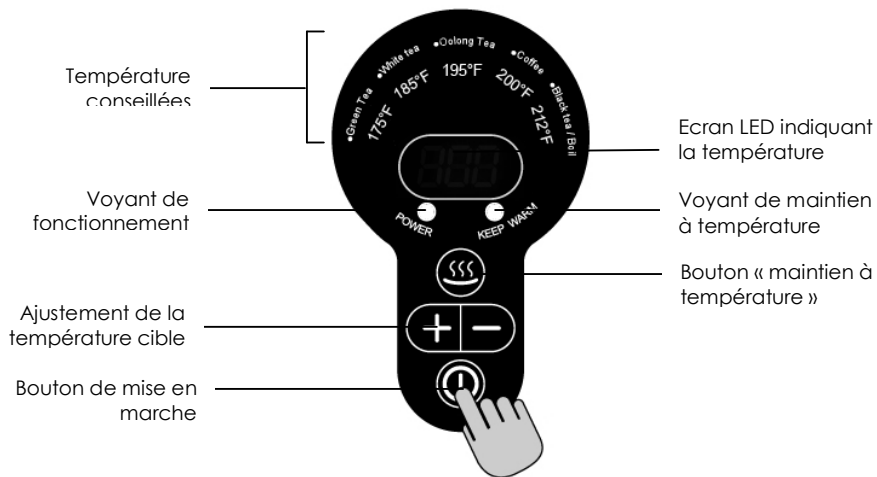
Copies of the I/B. Please reproduce them without any changes except under special instruction from Team International BELGIUM. The pages must be reproduced and folded in order to obtain a booklet A5 (+/- 148.5 mm width x 210 mm height). When folding, make sure you keep the good numbering when you turn the pages of the I/B. Don't change the page numbering. Keep the language integrity.



## DESCRIPTION



## PANNEAU DE CONTROLE





Fax +32 2 359 95 50

Copies of the I/B. Please reproduce them without any changes except under special instruction from Team International BELGIUM. The pages must be reproduced and folded in order to obtain a booklet A5 (+/- 148.5 mm width x 210 mm height). When folding, make sure you keep the good numbering when you turn the pages of the I/B. Don't change the page numbering. Keep the language integrity.



## AVANT LA PREMIERE UTILISATION

Il est nécessaire de rincer votre bouilloire avant sa première utilisation. Pour cela, remplissez-la au préalable avec de l'eau froide et mettez-la en fonctionnement. Une fois l'eau arrivée à ébullition, videz la bouilloire, laissez-la refroidir, rincez-la et ensuite répétez l'opération 2 à 3 fois, en veillant à remplir la bouilloire exclusivement avec de l'eau claire.

## UTILISATION

- Merci de toujours enlever la bouilloire de son socle avant de la remplir d'eau.
- Ouvrez le couvercle en appuyant sur le bouton d'ouverture et remplissez le réservoir d'eau froide en prenant garde de toujours vous situer entre les deux repères de niveau "MIN" et "MAX" inscrits sur l'indication du niveau d'eau.
- Refermez le couvercle en appuyant jusqu'à ce que vous entendiez un déclic et assurez-vous qu'il est correctement maintenu fermé.
- Posez la bouilloire sur son socle, branchez la prise murale. La température « 212 » va clignoter pendant environ 10 secondes. Votre bouilloire est maintenant opérationnelle.
- Votre bouilloire peut être utilisée pour bouillir de l'eau or pour chauffer de l'eau à une température prédéfinie. Cette fonction est particulièrement pour préparer des boissons chaudes, et tout particulièrement du thé, car la température idéale de préparation pour l'infusion peut être différente d'une sorte à l'autre.
- Pressez le bouton de mise en marche sur le panneau de contrôle. La température d'ébullition « 212 » (°F) va clignoter pendant quelques secondes. Pendant cette période, vous pouvez également ajuster la température désirée. Pour cela, pressez les touches « + » ou « - » jusqu'à l'obtention de la température que vous souhaitez.
- Quand l'écran cesse de clignoter, la température est définie et la bouilloire va se mettre à chauffer l'eau. Le voyant lumineux « Power » est allumé indiquant que l'appareil est en fonction.
- Quand la bouilloire atteint la température définie, elle s'arrête automatiquement et une série de 5 signaux sonores se fait



Fax +32 2 359 95 50

Copies of the I/B. Please reproduce them without any changes except under special instruction from Team International BELGIUM. The pages must be reproduced and folded in order to obtain a booklet A5 (+/- 148.5 mm width x 210 mm height). When folding, make sure you keep the good numbering when you turn the pages of the I/B. Don't change the page numbering. Keep the language integrity.



entendre. La température de l'eau s'affiche pendant quelques secondes et l'écran s'éteint.

- Quand la bouilloire n'est plus en fonction, vous pouvez contrôler la température de l'eau à l'intérieur à tout moment en appuyant sur n'importe quel bouton sur l'écran de contrôle.

## MAINTIEN A TEMPERATURE

Vous pouvez également programmer votre bouilloire pour que celle-ci garde l'eau à une température donnée. Réglez la température désirée comme indiqué dans la partie « UTILISATION », et appuyez sur le bouton de maintien à température, tant que la température clignote encore sur l'écran. Le voyant de maintien à température s'allume et la bouilloire gardera l'eau à cette température tant qu'elle ne sera pas détachée de sa base ou mise hors tension. La bouilloire émet périodiquement une série de 2 bips pour vous rappeler que cette fonction est activée.

### NOTES:

- La bouilloire peut être laissée sur sa base quand elle n'est pas en fonction. Déconnectez le cordon d'alimentation de la prise murale quand la bouilloire n'est pas utilisée.
- Si vous versez une large quantité d'eau bouillante, versez doucement et n'inclinez pas la bouilloire en dépassant la position où la bouilloire se trouve à l'horizontale, afin d'éviter brûlures ou blessures.
- La bouilloire ne peut afficher les températures qu'en degrés Fahrenheit (°F), pas en degrés Celsius (°C)

## PROTECTION CONTRE LE FONCTIONNEMENT A VIDE

- Cette bouilloire est équipée d'un système de protection contre la surchauffe qui arrête l'appareil automatiquement si celui-ci est mis en fonctionnement à vide, accidentellement.
- Si cela arrive, débranchez l'appareil remettez l'interrupteur sur sa position "arrêt". Attendez 10 minutes avant de le remplir d'eau froide. Cela suffit pour désactiver le dispositif de protection.



Fax +32 2 359 95 50

Copies of the I/B. Please reproduce them without any changes except under special instruction from Team International BELGIUM. The pages must be reproduced and folded in order to obtain a booklet A5 (+/- 148.5 mm width x 210 mm height). When folding, make sure you keep the good numbering when you turn the pages of the I/B. Don't change the page numbering. Keep the language integrity.



## **NETTOYAGE ET ENTRETIEN**

- Toujours débrancher l'appareil et le laisser refroidir avant de le nettoyer.
- Nettoyer les parties plastiques de l'appareil à l'aide d'un chiffon doux. Utiliser une brosse douce pour enlever les dépôts de calcaire sur les parois intérieures.
- Ne jamais utiliser de produits abrasifs.
- Ne jamais plonger la bouilloire ou son socle dans l'eau ou dans tout autre liquide.

## **FILTRE**

Votre appareil est muni d'un filtre en acier inoxydable, au niveau du bec verseur. De cette façon, vous pouvez faire bouillir ou chauffer de l'eau virtuellement sans que l'eau ne soit jamais en contact avec des matières plastiques.

## **DETARTRAGE**

Pour le détartrage de votre bouilloire, utilisez des produits spécifiques que vous trouverez dans le commerce et suivez les consignes indiquées sur leurs emballages. Utilisez des produits de détartrage indiqués pour les bouilloires ou les machines à café.





Fax +32 2 359 95 50

Copies of the I/B. Please reproduce them without any changes except under special instruction from Team International BELGIUM. The pages must be reproduced and folded in order to obtain a booklet A5 (+/- 148.5 mm width x 210 mm height). When folding, make sure you keep the good numbering when you turn the pages of the I/B. Don't change the page numbering. Keep the language integrity.



## GARANTIE

Nous vous suggérons de remplir et de nous renvoyer rapidement la Carte d'Enregistrement Produit ci-jointe afin de faciliter la vérification de la date d'achat. Cependant, le renvoi de la Carte d'Enregistrement Produit n'est pas une condition indispensable à l'application de la présente garantie. Vous pouvez aussi remplir cette carte de garantie en ligne à l'adresse suivante :

**[www.KALORIK.com](http://www.KALORIK.com)**

A compter de la date d'achat, ce produit KALORIK est garanti un an, sur le territoire des Etats-Unis, contre les défauts matériels et de fabrication. Cette garantie n'est pas transférable. Conservez la preuve d'achat originelle. Une preuve d'achat est exigée pour obtenir l'application de la garantie.

Durant cette période, le produit KALORIK qui, après inspection par KALORIK, s'avère défectueux, sera réparé ou remplacé, au choix de KALORIK, sans frais pour le consommateur. Si un produit de remplacement est envoyé, c'est la garantie restante du produit original qui s'appliquera.

La présente garantie ne s'applique pas aux défauts dus à une mauvaise utilisation de la part de l'acheteur ou de l'utilisateur, à une négligence, au non-respect des consignes du manuel d'utilisation KALORIK, à une utilisation sur un circuit électrique au voltage différent de celui renseigné sur le produit, à une usure normale, à des modifications ou réparations non autorisées par KALORIK, ou par un usage à des fins commerciales. Il n'existe pas de garantie pour les parties en verre, récipients en verre, filtres, paniers, lames et accessoires en général. Il n'existe également pas de garantie pour les pièces perdues par l'utilisateur.

Toute garantie de valeur commerciale ou d'adaptabilité à ce produit est également limitée à la garantie d'un an.

Certains états ne limitent pas la longueur de la garantie tacite ou n'autorisent pas l'exclusion de dommages-intérêts accessoires ou indirects, les restrictions ci-dessus peuvent donc ne pas s'appliquer à vous. Cette garantie vous donne des droits légaux particuliers, et certains droits peuvent varier d'un état à l'autre.



Fax +32 2 359 95 50

Copies of the I/B. Please reproduce them without any changes except under special instruction from Team International BELGIUM. The pages must be reproduced and folded in order to obtain a booklet A5 (+/- 148.5 mm width x 210 mm height). When folding, make sure you keep the good numbering when you turn the pages of the I/B. Don't change the page numbering. Keep the language integrity.



Si l'appareil devait présenter un défaut durant la période de garantie et plus de 30 jours après l'achat, ne ramenez pas l'appareil au magasin : souvent, notre Service Clientèle peut aider à résoudre le problème sans que le produit ne doive être réparé. Si une réparation est nécessaire, un représentant peut confirmer si le produit est sous garantie et vous rediriger vers le service après-vente le plus proche.

Le cas échéant, ramenez le produit (ou envoyez-le, dûment affranchi), ainsi qu'**une preuve d'achat**, en mentionnant **le numéro d'autorisation de retour**, indiqué par notre service clientèle, au service après-vente KALORIK agréé le plus proche. (visitez notre site internet [www.KALORIK.com](http://www.KALORIK.com) ou appelez notre département Service Clientèle pour obtenir l'adresse du service après-vente KALORIK agréé le plus proche).

Si vous envoyez le produit, veuillez y joindre une lettre expliquant la nature du défaut.

Si vous avez des questions complémentaires, veuillez appeler notre département Service Clientèle (voyez plus bas pour les coordonnées complètes), du lundi au vendredi de 9h à 18h (EST). Veuillez noter que les heures sont sujettes à modification.

Si vous souhaitez nous écrire, adressez votre courrier à :

**KALORIK Consumer Service Department**  
Team International Group of America Inc  
1400 N.W 159th Street, Suite 102  
Miami Gardens, FL 33169 USA

Ou appelez (Gratuitement des Etats-Unis): +1 888-521-TEAM ou +1 888-KALORIK.

**Seules les lettres seront acceptées à l'adresse ci-dessus. Les envois et colis n'ayant pas de numéro d'autorisation de retour seront refusés.**

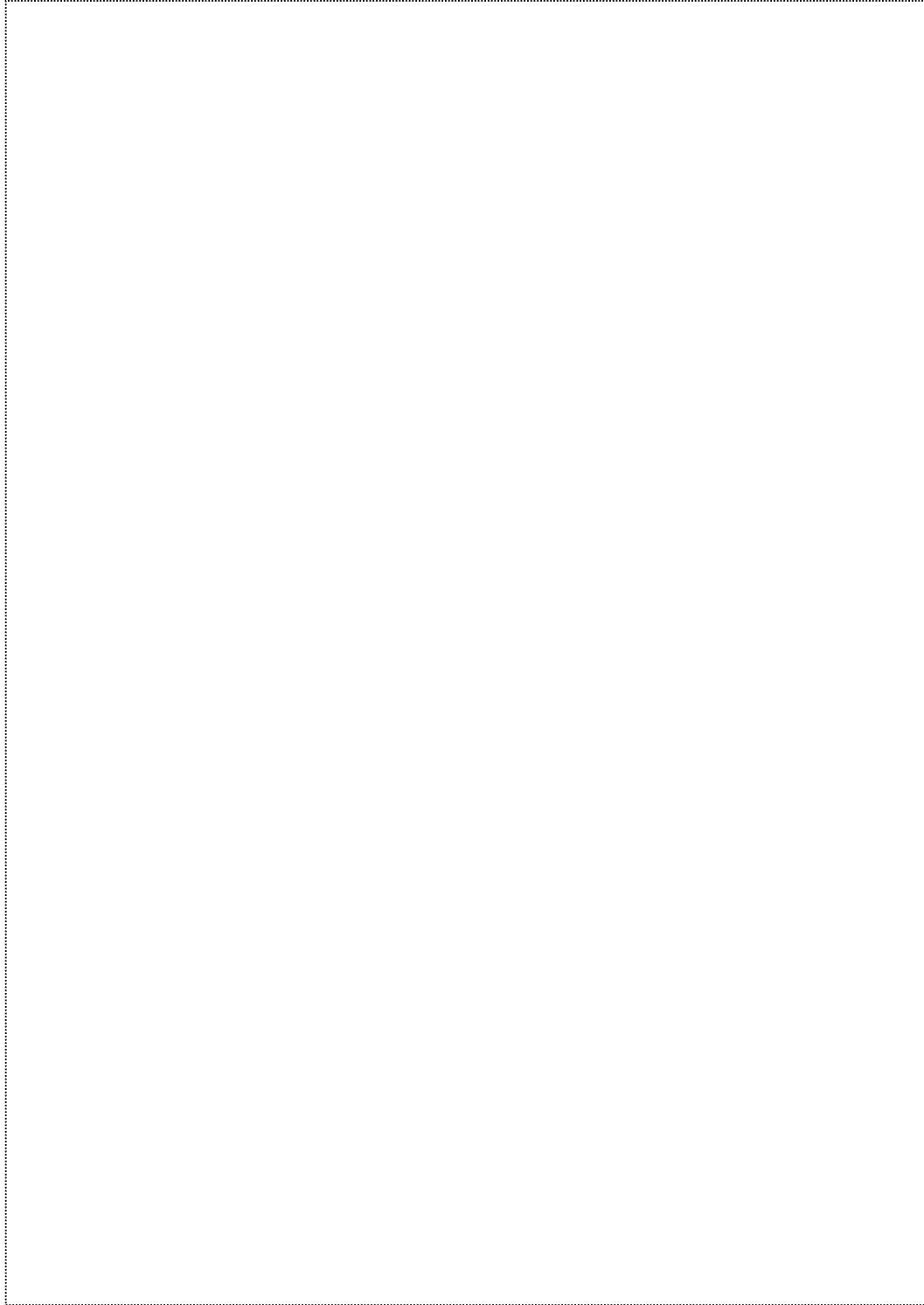


Back cover page (last page)

Assembly page 26/28



Copies of the I/B. Please reproduce them without any changes except under special instruction from Team International BELGIUM. The pages must be reproduced and folded in order to obtain a booklet A5 (+/- 148.5 mm width x 210 mm height). When folding, make sure you keep the good numbering when you turn the pages of the I/B. Don't change the page numbering. Keep the language integrity.

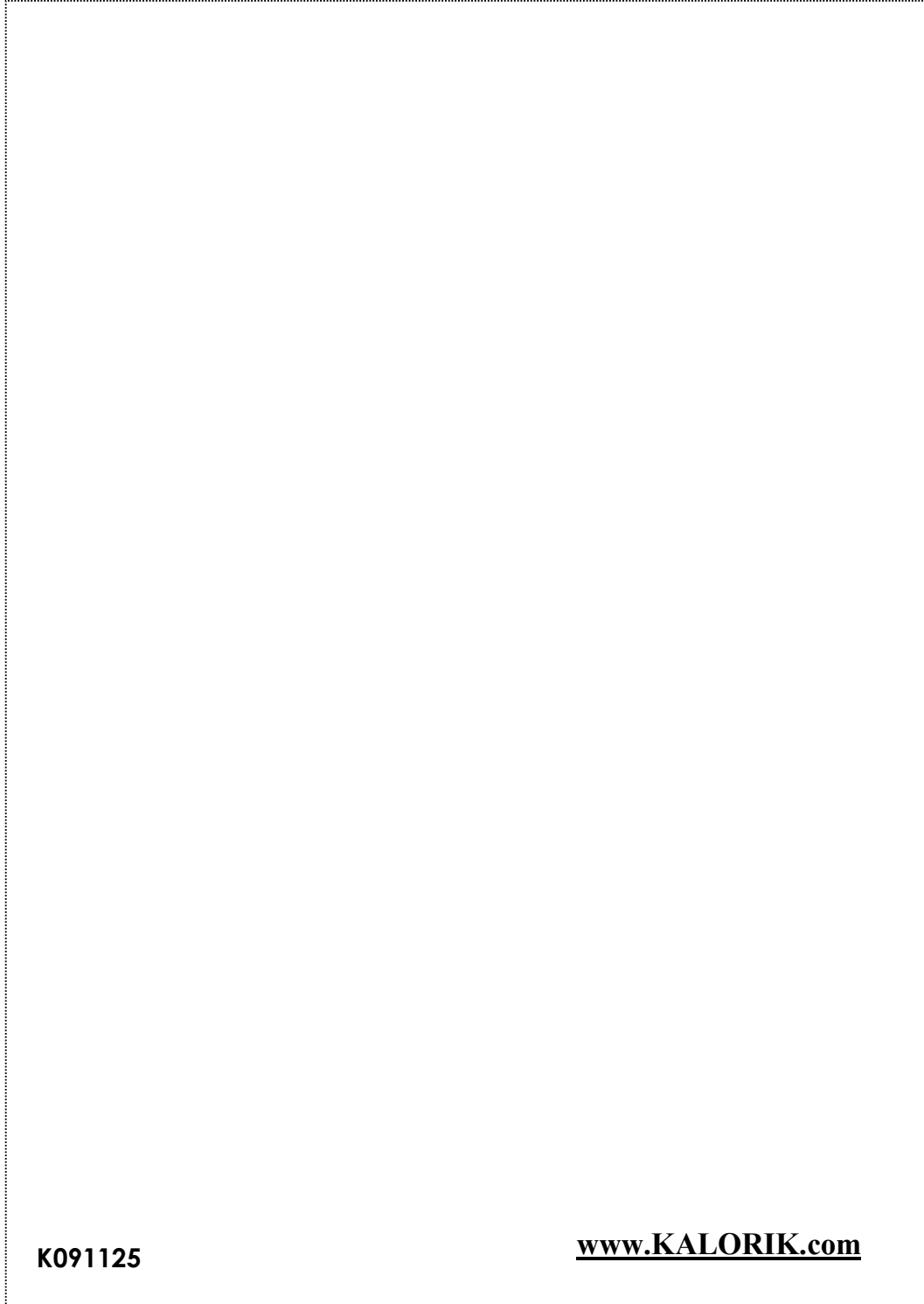


Back cover page (last page)

Assembly page 27/28



Copies of the I/B. Please reproduce them without any changes except under special instruction from Team International BELGIUM. The pages must be reproduced and folded in order to obtain a booklet A5 (+/- 148.5 mm width x 210 mm height). When folding, make sure you keep the good numbering when you turn the pages of the I/B. Don't change the page numbering. Keep the language integrity.



**K091125**

**[www.KALORIK.com](http://www.KALORIK.com)**



Back cover page (last page)

Assembly page 28/28